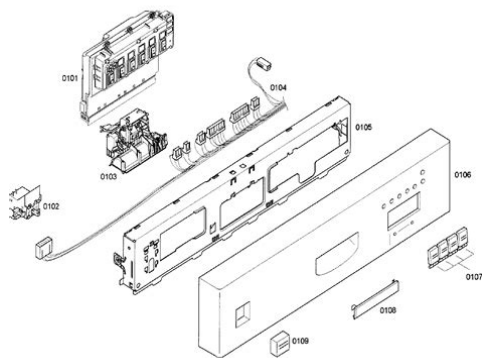


## bosch shu43c02uc dishwasher manual



**File Name:** bosch shu43c02uc dishwasher manual.pdf

**Size:** 2257 KB

**Type:** PDF, ePub, eBook

**Category:** Book

**Uploaded:** 23 May 2019, 21:31 PM

**Rating:** 4.6/5 from 597 votes.

**Status:** AVAILABLE

Last checked: 4 Minutes ago!

**In order to read or download bosch shu43c02uc dishwasher manual ebook, you need to create a FREE account.**

[\*\*Download Now!\*\*](#)

eBook includes PDF, ePub and Kindle version

[Register a free 1 month Trial Account.](#)

[Download as many books as you like \(Personal use\)](#)

[Cancel the membership at any time if not satisfied.](#)

[Join Over 80000 Happy Readers](#)

### Book Descriptions:

We have made it easy for you to find a PDF Ebooks without any digging. And by having access to our ebooks online or by storing it on your computer, you have convenient answers with bosch shu43c02uc dishwasher manual . To get started finding bosch shu43c02uc dishwasher manual , you are right to find our website which has a comprehensive collection of manuals listed.

Our library is the biggest of these that have literally hundreds of thousands of different products represented.



## Book Descriptions:

# **bosch shu43c02uc dishwasher manual**

By using our site, you agree to our use of cookies. Visit our Privacy Policy to learn more. Complete documentation is available for your Bosch appliance. If you already know your Model Number, just enter the first few characters. The photo should be clear and welllit. Please double check your model number and make sure that all letters are capitalized. Please try again or type the Model Number ENr into the field manually. Please contact us if you can't find what you're looking for. We would like to invite you to take part in a short one minute survey. Thank you. If you wish to be contacted by us, please use our regular contact form here, contact Customer Support at 800 9442904, or chat online with a Customer Support representative. SHU43 Builtin Dishwasher BOSCH md SHU43C02UC. SHU43 Builtin Dishwasher SHU43 Builtin Dishwasher The direct link is. I hope this helps. Cindy Wells Login to post I would start by first shutting off the breaker. Then removing the kick plate access panel at the bottom and checking the wiring at the junction box for the dishwasher 120vac supply line.Can can you help me. I know it is over 2 yrs old.It is supposed to be hooked to the hot water line, make sure it is the hot water line.Are you having any power difficultys.Can you help me with this.Neff S5943XOGB slimline dishwasher. Then it empties and finishes itself. SHU43 Builtin Dishwasher Questions Answer questions, earn points and help others. Once there, you will be givenThe site maintains the referenceUse of this Web site constitutes acceptance of the Terms of Service and Privacy Policy. Avoid this costly Customer Instruction service call by getting familiar with these dishwashers' Reset Feature. For many brands and models, the paused wash cycle will automatically start back up where it left off once the door is latched closed. Sometimes machines get old and must be replaced with new ones, other times you move into a new home supplied with Bosch appliances.<http://www.heimatforschung-marktleuthen.de/lexikon/bilder/compaq-presario-sr1020nx-manual.xml>

- **bosch dishwasher shu43c02uc manual, bosch dishwasher shu43c02uc 17 manual, bosch shu43c02uc dishwasher manual, bosch shu43c02uc dishwasher manual pdf, bosch shu43c02uc dishwasher manual instructions, bosch shu43c02uc dishwasher manual 2017, bosch shu43c02uc dishwasher manual 2016, bosch shu43c02uc dishwasher manual diagram, bosch shu43c02uc dishwasher manual parts, bosch shu43c02uc dishwasher manual review, bosch shu43c02uc dishwasher manual free, bosch dishwasher shu43c02uc manual, bosch dishwasher shu43c02uc 17 manual.**

Some new Bosch owners discover, rather costly so, that many Bosch dishwashers' models do not automatically start back up or unpause when the door is shut. I turned the machine off and on, but that didn't fix it. I think the pump is broken." Before going for a replacement pump or motor, find out if a wash cycle was simply interrupted or paused. Wait five seconds for the dishwasher to respond. If the control panel is upward facing, concealing the unit controls beneath the countertop when the door is closed often referred to as Incognito Design, try opening the door, press firmly then release the start button and return the door to the closed position, ensuring the door latches firmly. Wait for five seconds; if you hear motor movement the unit was likely in a paused cycle state. Wait for the dishwasher to complete the selected wash cycle and indicate through noise or control panel lighting that the wash cycle has completed. If you want to start a fresh, clean, cycle from the beginning without waiting for the selected wash cycle to complete, perform a reset of the dishwasher. Depending on your make and model, the reset feature will be marked with an asterisk and the word reset located below the applicable button. On many modern Bosch dishwashers, the Reset button is the Start button, this can confuse some customers. To reset the modern Bosch

dishwasher, press and hold the start button for about 3 to 5 seconds. On some older Bosch models, the reset feature may be called "cancel" or "drain". These older models require a specific Button Press Sequence or what we in the biz call a Key Dance to complete. Once drainage is complete the dishwasher control panel will indicate a Complete or Done cycle and then automatically enter its standby mode. Totally removing power from an appliance is what we in the Appliance Technician Industry refer to as a Hard Reset. Hard resetting a household electronic appliance should always be done from the Household Circuit Breaker

Box. <http://alfatreyd-mebel.ru/archive/images/compaq-presario-sr1055cl-manual.xml>

Find the breaker box and switch the dishwasher circuit breaker to the off position. Now check out the hopefully labeled dishwasher circuit breaker. It should be labeled dishwasher or DW for short, and it's usually a 15 to 20 Amp breaker. The dishwasher is now ready to begin a wash cycle from the beginning. You're welcome! If it didn't, and if you feel like you need professional help but you want to save some money, you can call on Neli. Our certified technicians can walk you through troubleshooting and solving your appliance problems through our advanced camera sharing software and chat. You can request any technician you like, including myself! You can always ask us anything if you pay a visit to NeliHome.com and start a chat. Whether it's a leaky refrigerator or your dryer that seems to take forever, DoItYourself doesn't mean you have to do it alone. Neli's got your back! I think grandbaby may have pressed buttons and locked it up. Can you help Just started chat on the lower right of these webpages and one of our agents will take care of you. You can also set up your own appointment to talk to one of our technicians. You can do that by going here. The wife started the dishwasher and it just sat there. In the morning I turned the water supply on and it still will not run. I pressed and held the start button unit is less than a year old and a code 01 popped up. But it will not run. I have not yet done a hard reset would you suggest that or should I call for service Thanks Do We'd then be happy to help you with more troubleshooting if you'd like to set up an appointment here. Just make sure you understand our service works before booking an appointment I didn't leave breaker off for 7 mins tho only 4 or so should ai do that Sorry it took so long to answer your comment. You can chat with us on nelihome.com, make and appointment or call 8338760900. We will work with you during your appointment. Talk soon! Team Neli The cycle Auto LED illuminates.

If I want to change a cycle type or add a function e.g. half loaf, which is the function i use a lot, Selecting any new cycle or adding any function does not work. What happens is I select the new function, the corresponding LED illuminates, I hear a chirp BUT the new cycle or function setting DOES NOT stay illuminated. As I had time today to investigate this, I called Bosxh Customer Care. When speaking and describing in detail the sequence of steps, and behavior of resulting steps, she guided me to do a "soft reset" of the dishwasher. Suggestions If you are still having an issue with your arrow button, you can chat with us or make and appointment. You can also call 8338760900. nelihome.com. Talk soon, Team Neli We will solve your Bosch issue and get your dishwasher working again. See you soon, the Neli Team 8338760900 It's not so much an issue for my wife and I who have become familiar with it, although still a nuisance. But when we have visitors who inevitably disrupt the wash to add a dish because they didn't know it was running, it becomes a real problem. We most often have visitors around the holidays and there's nothing like waking up Thanksgiving or Christmas morning to find the dishwasher didn't finish. Nowhere in the manual does it tell you when or at what stage to engage the button. I'm not very familiar with that feature, but if you want to set up a diagnosis for more testing we certainly can! For the life of me, I can't find the model number on any of the exposed surfaces. If you still need help finding your model number you can try following the guide here I have the Bosch super silence plus 39 abd Thanks for checking us out, we are here if you need us! This was lifesaver info. Worked on our Bosch! Hard 5 Sec push on start worked. Next time I'll probably use hard start. Thanks again There are no lights on the control panel. It was pumping water out when it failed. I checked the powerpoint and it is fine.

<http://www.drupalitalia.org/node/75867>

Is it worth repairing It's difficult to say without a diagnosis, so if you'd like to set up an appointment you can do that here We are going to return ours. Having Had it for one week we have had nothing but problems with it. What a disappointment because I had a Bosh prior to this that we really liked. They have gone down significantly in their quality. I've tried disconnecting the water supply to check if the filter was clogged but there were only 4 tiny particles that could not be the reason for any blockage. Taking it off power supply hard reset also did not help. If you have any suggestions I'd be happy to try before calling a technician. Now no lights or power at all. Tried turning the breaker off for 57 minutes. We did have a disposal problem too many egg shells, which we fixed a few hours prior to starting the dishwasher. I feel like it is related to the disposal issue, but with no power to dishwasher, my hands are tied. Help please! If this article didn't help you, you can check out our blog or look at our website to see if our online repair service would be helpful to you. You can set up a diagnosis appointment any time! Pushing the start button for 5 seconds resets the cycle but not change the lock position. We still have been using it by putting chairs in front of the door to keep it closed, which works for now, but still a big nuisance. Any ideas how to fix it. Thanks so much in advance! It it's not staying locked, you could try replacing the door locking mechanism entirely. If you need further diagnosing, check out our blog or website and set up a diagnosis with one of our techs. Thanks! Try a Reset Sajia on Bosch Dishwasher Doesn't Work. Try a Reset Neli on Bosch Dishwasher Doesn't Work. Try a Reset Ayse on Bosch Dishwasher Doesn't Work. Try a Reset Archives. Hold times are long. This roller enables the dishrack to move in and out of the dishwasher. Because these rollers generally wear out at the same time, we recommend replacing them in pairs.

<http://aplusresidentialcleaning.com/images/canon-pro-100-manual.pdf>

If the door is leaking then the door seal may be defective. If the dishwasher wont fill properly, then the water valve is likely restricted and will need replacement. If the dishwasher is underfilling, it wont clean dishes effectively. Corroded or rusted dishracks should be replaced to avoid parts of the rack falling down and getting into the circulation pump damaging the pump. If the dishwasher does not wash properly then the wash impeller could be worn or the motor could be defective. If detergent dispenser does not open or dispense the detergent or rinse aid properly then dispenser will need to be replaced. Since 1912, weve learned to recognize the most common problems. Do any of these look familiar. Join Repair Clinics VIP email list for 10% off, plus other discounts and tips. Weve got millions of parts, hundreds of brands, and thousands of stepbystep videos— everything you need to find it, fix it and finish the job right. Something went wrong. Learn more opens in a new window or tab This amount is subject to change until you make payment. For additional information, see the Global Shipping Program terms and conditions opens in a new window or tab This amount is subject to change until you make payment. If you reside in an EU member state besides UK, import VAT on this purchase is not recoverable. For additional information, see the Global Shipping Program terms and conditions opens in a new window or tab Delivery times may vary, especially during peak periods. Learn more opens in a new window or tab Learn more opens in a new window or tab Learn more opens in a new window or tab Learn more opens in a new window or tab The item may have some signs of cosmetic wear, but is fully This item may be a floor model or store return that has been used. See the seller's listing for full details and description of any imperfections. Contact the seller opens in a new window or tab and request a postage method to your location.

<http://gestibrok.com/images/canon-pro9500-mark-ii-manual.pdf>

Please enter a valid postcode. Please enter a number less than or equal to 2. If you dont follow our item condition policy for returns, you may not receive a full refund. Refunds by law In Australia, consumers have a legal right to obtain a refund from a business if the goods purchased are faulty,

not fit for purpose or dont match the sellers description. More information at returns. All Rights Reserved. User Agreement, Privacy, Cookies and AdChoice Norton Secured powered by Verisign. And by having access to our ebooks online or by storing it on your computer, you have convenient answers with Bosch Shu43c02uc Manual. To get started finding Bosch Shu43c02uc Manual, you are right to find our website which has a comprehensive collection of manuals listed. Our library is the biggest of these that have literally hundreds of thousands of different products represented. I get my most wanted eBook Many thanks If there is a survey it only takes 5 minutes, try any survey which works for you. Not a member Join today Need further assistance. Forgot username or password. Please call Member Services at 18003330663 The recall is an expansion of a twoyearold recall that included 194,000 Bosch, Thermador, Gaggenau, and JennAir dishwashers for a total of 663,000 models in the U.S. and Canada. Over the past two years, BSH Home Appliances, which announced the recall with the Consumer Product Safety Commission, has received five reports of the power cords overheating and causing fires that resulted in property damage. BSH said that the overheating occurred when the dishwashers were in use, not when they were sitting idle. The repair should take less than an hour. You can also call the BSH recall hotline at 8889655813 or go to the website of the brand you own for more information. They are These identifiers are printed inside the dishwasher either on the top of the inner door panel or on the side of the panel.

Bosch advises owners to pay special attention to the serial number because not every unit from the same model line is included in the recall. If you enter your information on one of the websites, you'll quickly find out whether your machine is included in the recall. Consumer Reports has tested some of the recalled models but did not encounter problems with overheating power cords. We've flagged the affected models in the dishwasher ratings on our website. But the real thing is so much better. Follow me on Twitter. There are, however, simple measures that anyone can take to deal with a number of operational issues. Our list of tips and tricks for maintaining and repairing your Bosch dishwasher will show you how. Sign up for a personal account and youll find useful tips for more performance and prolonging the life of your appliance. Phone 1300 369 744 24 hours support Monday to Friday You need these for product registration and booking your repair service. Get Free Download Ebook and Manual Reference. BOSCH NEFF SIEMENS Washing Machine Dishwasher DE CALC. 10 pieces Coque en Plastique CR2032 Piles Boutons Batteries Sockets Support L9H6. Dodge caravan repair manual. Honda gx160 service manual. Kawasaki zsr 400 service manual download. Husqvarna Bosch Dishwasher Parts Manual Bosch dishwasher manuals care guides bosch dishwasher parts bosch shu43c02uc 17 dishwasher parts instruction manual Get Free Download Ebook and Manual Reference. Java tutorial beginners book. 1999 mercedes benz clk 320 owners manual. Bosch dishwasher shu43c02uc manual. User manual for samsung s7 edge. Bosch dishwasher shu43c02uc manual. Use Peatix for any event and ticketing needs! Coorganizers can edit group and event pages, access sales and attendee information, manage ticket sales and more. Please note that depending on the settings you choose, the full functionality of the website may no longer be available. Sign up for an account today.

[www.acefence.com/wp-content/plugins/formcraft/file-upload/server/content/files/1626c609606f97---03-yz85-manual.pdf](http://www.acefence.com/wp-content/plugins/formcraft/file-upload/server/content/files/1626c609606f97---03-yz85-manual.pdf)

Instruction manuals contain essential information to operate and maintain your appliance. Buy genuine spare parts direct from Bosch. Our list of tips and tricks for maintaining and repairing your Bosch dishwasher will show you how. For even greater peace of mind, theres the Bosch Additional Warranty Coverage. You can choose for an additional 1 to 4 years additional warranty coverage. Sign up for a personal account and youll find useful tips for more performance and prolonging the life of your appliance. Your registration with MyBosch comes with a whole range of offers committed to make your Bosch experience even better, such as exclusive offers and infotainment. You need these for product registration and booking your repair service. With Boschs instruction manuals.

Simply enter the ENR model type number from your appliance and well take you to the available publications. Just use the type plate finder to get assistance. Just click on the link below to get assistance.

<http://www.drupalitalia.org/node/75868>